

TAKE THE HARD WORK OUT OF WINCHING WITH - **EASY~WINCH®**

The new & improved Mk11 model of the highly successful manual,
load reducing winch drive system.



Do you want to be able to operate your winches with confidence, get that extra tension for peak sailing performance, take the grind out of hauling someone up the mast ? If so then Easy~Winch is for you ! With a 4:1 gear reduction ratio Easy~Winch is used in place of a conventional handle and is effective on all standard winches.

Available from: Calidus Engineering Ltd, Unit 7A, Tregonigge Industrial Estate,
Falmouth, Cornwall. TR11 4SN.
01326 371400.

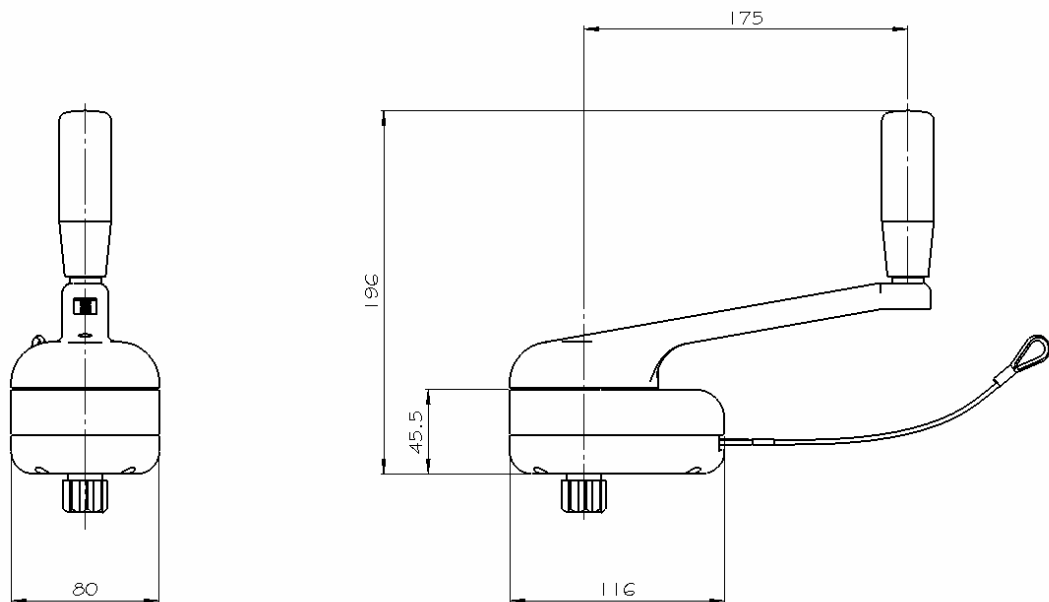
www.easywinch.com



CALIDUS
ENGINEERING

EASY~WINCH

Technical Information



Specification

Gear Ratio: 4:1
Weight: 1.4Kg
Finish: Black Polyester Coated
Materials: Main Body: Aluminium
Gears & Shafts: Stainless Steel

Supplied With: 2 Deck Eyes
1 Restraining strop with carbine hook. (265mm standard length)
Spare Shear Pin.
Sealed and Greased for life.

Available from:

Calidus Engineering Ltd,
Unit 7A, Tregonigge Industrial Estate,
Falmouth, Cornwall, TR11 4SN
01326 371400
sales@calidusengineering.com
www.calidusengineering.com

www.easywinch.com